

STORMSWITCH™

100-200A 240VAC or 480VAC
MANUAL TRANSFER SWITCH

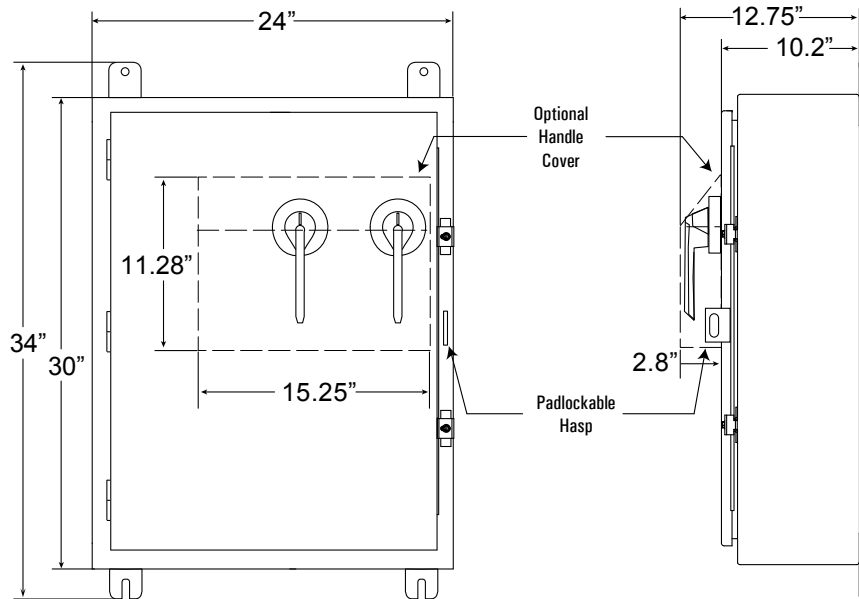
Series: 3020



U.S. Patent No. 7462792

- Ideal Solution for Portable Generator Connection to Grid-tied Facilities
- Utility and Generator Disconnects are Circuit Breakers as Standard (Optional Molded Case Switches Available)
- Safety-interlocked Door & Dead Front Panel for Safe Generator Connection and Operation
- Color-coded Cam-style Receptacles for Easy Generator Connection
- Type 3R Heavy Gauge Steel Enclosure (Stainless Steel & Colors Optional)
- Suitable for Use as Service Equipment (SUSE)
- UL 1008 Listed Assembly





ORDERING INFO:

SSD2W - 200 C - 200 C - 240 - 311 - S - V

Model
 SSD2W - 3020 Series
 SSD4W - 3040 Series
 SSD6W - 3060 Series
 SSD8W - 3080 Series

Utility Disconnect
 C - Molded Case
 Circuit Breaker
 S - Molded Case
 Switch

Generator Disconnect
 C - Molded Case
 Circuit Breaker
 S - Molded Case
 Switch

Voltage
 240 - 208 - 240VAC
 480 - 380 - 480VAC
 600 - 600VAC

Number of Phases

Inlets (Male)
 S - 400A Cam-style
 6 - 690A Cam-style
 L - Pin & Sleeve
 P - Pigtail

Utility Amps
 3020 - 70, 100, 125, 150, 175, 200, 225
 3040 - 160 - 400
 3060 - 300, 350, 400, 450, 500, 600
 3080 - 300, 350, 400, 450, 500, 600, 700, 800

Generator Amps
 3020 - 70, 100, 125, 150, 175, 200, 225
 3040 - 160 - 400
 3060 - 300, 350, 400, 450, 500, 600
 3080 - 300, 350, 400, 450, 500, 600, 700, 800

Neutral
 0 - None
 1 - Male
 2 - Male & Female
 3 - (2) Males
 4 - (2) Females
 5 - (1) Female

Ground
 1 - Male
 2 - Male & Female
 3 - (2) Males
 4 - (2) Females
 5 - (1) Female

V - Optional Handle Cover

RATING:

Cam-style Receptacle - 400A, 600V

Terminals - (70-175A) Disconnect Line Terminals: (1) #4 - 3/0
 (200-225A) Disconnect Line Terminals: (1) 2/0 - 350kcmil

Ground Lug: (70-225A) #6 - 250kcmil
 Neutral/Load: (200-225A) #6 - 4/0

APPROVALS:

- UL 1008 Listed Assembly
- UL Listed E-151429 Receptacles
- UL 489 Listed/CSA Certified Molded Case Circuit Breaker
- UL 1087 Listed/Molded Case Switch



Thor Power

P.O. BOX 940729

Houston, TX 77094-7729

www.thorpower.com • solutions@thorpower.com